



**READ INSTRUCTIONS IN FULL
BEFORE INSTALLATION.
QUESTIONS? Call 916-631-8071**

MetalCloak TJ/LJ “Bullet” Marker Light Instructions

Rev. C

Page 1 of 6

Assembly Step

Detailed Instructions

Picture/Illustration

At MetalCloak we work hard to ensure every step of the MetalCloak experience is an incredible one. Part of that experience is the ease of installation of our products.

While we design and plan for most contingencies, installation may be different based on different configurations and years.

We ask that you provide feedback and pictures if you find any part of our instructions that do not match your particular Jeep. And if you have any difficulties at all, please feel free to give us a call. Our instructions can only be as good as the feedback we receive from our growing customer base.

Thank you and enjoy your MetalCloak Products!

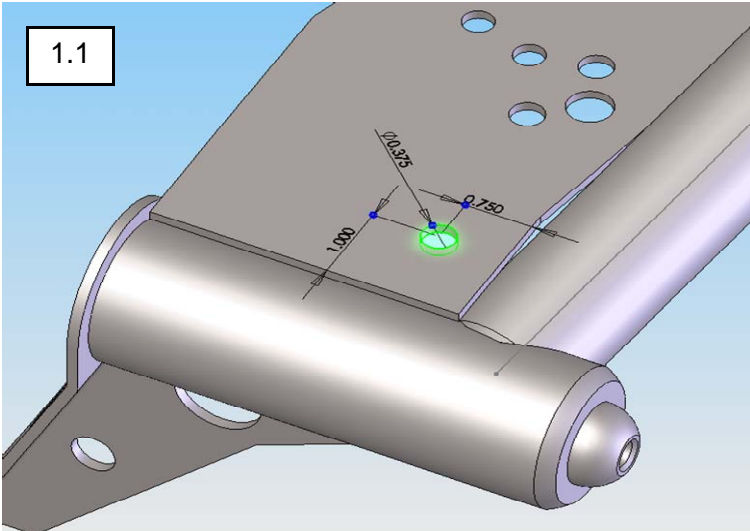

IMPORTANT NOTE: The tube of Silver Anti-seize provided should be used on all bolts—only a small amount is needed.

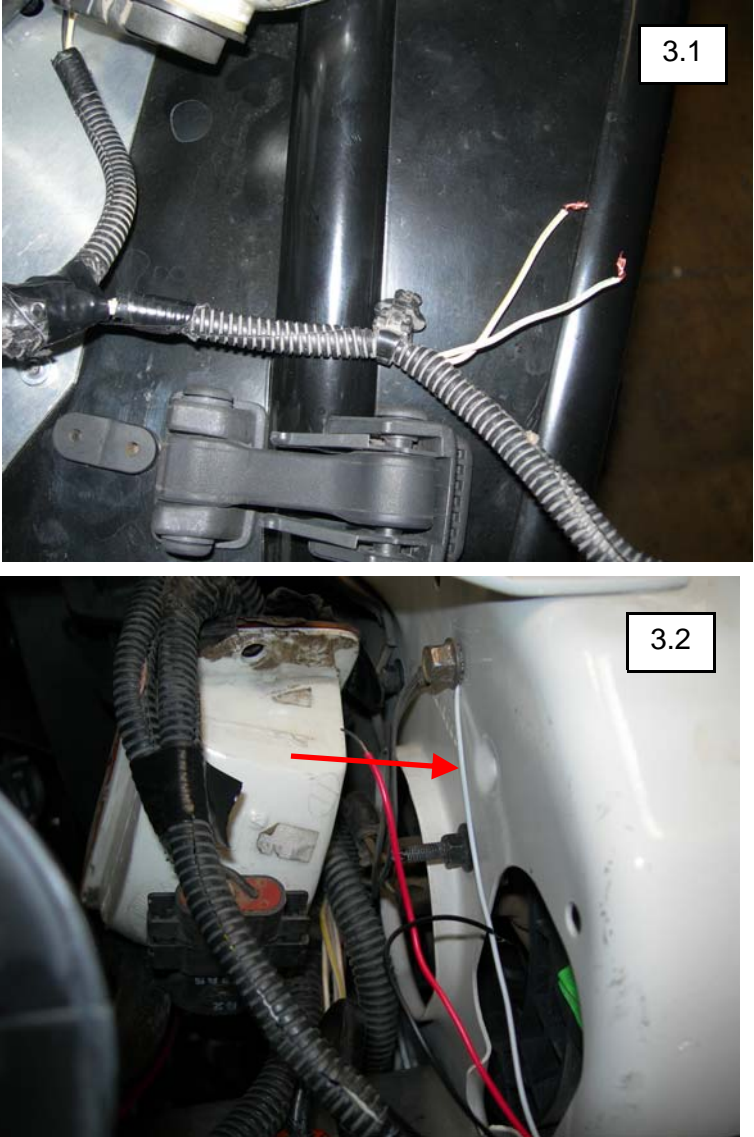
This article is sold without warranty expressed or implied. No warranty or representation is made as to this products ability to protect the user from injury or death. The user assumes that risk. The effectiveness, warranty and longevity of this equipment are directly related to the manner in which it is INSTALLED, USED and/or MAINTAINED. THE USER ASSUMES ALL RISK.


By purchasing this product and opening the packaging, purchasers expressly acknowledge, understand and agree that they take, select and purchase these MetalCloak products from Armored Works, LLC, its affiliates and distributors and agents as is and with all faults.

The entire risk as to the quality and performance of these MetalCloak products is with the purchaser. Working on your vehicle can be a dangerous activity. If you are unsure of what you are doing, please leave mechanical or safety critical work to a skilled mechanic.

We take no responsibility for the incorrect user and/or installation of MetalCloak products.

Assembly Step	Detailed Instructions	Picture/Illustration
<p>1. Drill hole 3/8" dia.</p> <p>Tools/Parts</p> <ul style="list-style-type: none">• Front Fender• 3/8" Drill Bit• Drill	<p>a. Drill a 3/8 dia. hole 1" from top and 3/4" from side. (See Pic 1.1)</p>	
<p>2. Install Light</p> <p>Tools/Parts</p> <ul style="list-style-type: none">• Marker Light• Light Base• 3/8" Bolt	<p>a. Install lights. (See Pic 2.1)</p>	

Assembly Step	Detailed Instructions	Picture/Illustration
<p>3. Cut side lights</p> <p>Tools/Parts</p> <ul style="list-style-type: none"> • Wire Cutters • Plastic Tube • Wire Butt Splice <p>Wiring Plan</p>	<p>a. Cut the side marker light wires. (See Pic 3.1)</p> <p>b. Wire the new marker lights</p> <p>c. Run all wire in plastic tube</p> <p>Ground to White (See Pic 3.2)</p> <p>d. Car side -to- Marker side</p> <p>White -to- Red White -to- Black</p>	 <p>The top photograph, labeled 3.1, shows a close-up of the side marker light assembly. A grey corrugated plastic tube is being used to route the wires. The wires are cut, and the ends are visible. The bottom photograph, labeled 3.2, shows the car side of the vehicle. A red arrow points to a white plastic tube that has been installed to route the wires from the car side to the marker side. The tube is secured with a metal bracket.</p>

Assembly Step	Detailed Instructions	Picture/Illustration
<p>4. Old front turn lights</p> <p>Options "A or B"</p> <ul style="list-style-type: none">Option A <p>Tools/Parts</p> <ul style="list-style-type: none">Black Tape or Paint	<p>a. Cover old light lens and place in engine area. In this option turn light will blink at normal speed. (Pic 4.1)</p>	 <p>4.1</p>

Assembly Step	Detailed Instructions	Picture/Illustration
---------------	-----------------------	----------------------

